

# Impact Sockets, Bit Sockets, Accessories & Air Wrench

## 6PT Flank Impact Sockets

CR-MO DIN 3121



METRIC		Black Phosphate Finished				
DRIVE	ITEM NO.	SIZE(mm)	L(mm)			
3/8" 9.5mm sq.	KABA1207	7	30	15	270	
	KABA1208	8	30	15	270	
	KABA1209	9	30	15	270	
	KABA1210	10	30	15	270	
	KABA1211	11	30	10	180	
	KABA1212	12	30	10	180	
	KABA1213	13	30	10	180	
	KABA1214	14	30	10	160	
	KABA1215	15	30	10	160	
	KABA1216	16	30	10	160	
	KABA1217	17	30	10	160	
	KABA1218	18	30	10	160	
	KABA1219	19	30	10	160	
	KABA1220	20	30	10	160	
KABA1221	21	30	10	160		
KABA1222	22	30	10	160		
1/2" 12.7mm sq.	KABA1608	8	38	25	150	
	KABA1609	9	38	25	150	
	KABA1610	10	38	25	150	
	KABA1611	11	38	25	150	
	KABA1612	12	38	25	150	
	KABA1613	13	38	25	150	
	KABA1614	14	38	25	150	
	KABA1615	15	38	25	100	
	KABA1616	16	38	20	80	
	KABA1617	17	40	20	80	
	KABA1618	18	40	15	60	
	KABA1619	19	40	15	60	
	KABA1620	20	40	15	60	
	KABA1621	21	40	15	60	
KABA1622	22	40	15	60		
KABA1623	23	42	15	60		
KABA1624	24	42	10	60		
KABA1625	25	42	10	60		
KABA1626	26	42	10	60		
KABA1627	27	42	10	60		

DRIVE	ITEM NO.	SIZE(mm)	L(mm)		
1/2" 12.7mm sq.	KABA1628	28	45	10	60
	KABA1629	29	45	10	60
	KABA1630	30	46	10	80
	KABA1632	32	46	5	40
	KABA2417	17	50	5	40
	KABA2419	19	50	5	40
	KABA2421	21	50	5	40
	KABA2422	22	50	5	40
	KABA2423	23	50	5	40
	KABA2424	24	50	5	40
	KABA2426	26	50	5	40
	KABA2427	27	50	5	40
	KABA2428	28	50	5	40
	KABA2429	29	53	5	40
KABA2430	30	53	5	40	
KABA2432	32	53	5	40	
KABA2433	33	55	5	40	
KABA2434	34	55	5	40	
KABA2435	35	55	5	40	
KABA2436	36	55	5	40	
KABA2438	38	57	2	16	
KABA2441	41	57	2	16	
KABA2446	46	62	2	16	
1" 25.4mm sq.	KABA3219	19	57	2	16
	KABA3221	21	57	2	16
	KABA3222	22	57	2	16
	KABA3223	23	57	2	16
	KABA3224	24	57	2	16
	KABA3225	25	57	2	16
	KABA3226	26	57	2	16
	KABA3227	27	57	2	16
	KABA3228	28	57	2	16
	KABA3229	29	57	2	16
	KABA3230	30	62	2	16
	KABA3232	32	62	2	16
	KABA3233	33	62	2	16
	KABA3234	34	62	2	16
KABA3235	35	62	2	16	
KABA3236	36	62	2	16	
KABA3238	38	66	2	16	
KABA3241	41	66	2	16	
KABA3242	42	66	2	16	
KABA3246	46	70	2	16	
KABA3250	50	70	2	16	
KABA3252	52	75	2	8	
KABA3255	55	82	2	8	
KABA3258	58	82	2	8	
KABA3260	60	85	2	8	
KABA3263	63	85	2	8	
KABA3265	65	85	2	8	
KABA3270	70	90	2	8	
KABA3275	75	90	2	8	
KABA3280	80	90	1	4	
KABA3285	85	108	1	4	
KABA3290	90	108	1	4	
KABA3295	95	108	1	4	

## 8PCS 3/8" DR. 6PT Impact Socket Rail Set



Black Phosphate Finished

ITEM NO.	CONTENTS
GDAG0801	8PCS KABA1208-1219 8, 10, 11, 12, 13, 14, 17, 19 mm

## 12PCS 3/8" DR. 6PT Impact Socket Rail Set



Black Phosphate Finished

ITEM NO.	CONTENTS
GDAG1201	12PCS KABA1208-1219 8, 9, 10, 11, 12, 13, 14, 15, 16, 17, 18, 19 mm

## 6PT Flank Impact Sockets

CR-MO DIN 3121



SAE		Black Phosphate Finished				
DRIVE	ITEM NO.	SIZE(inch)	L(mm)			
1/2" 12.7mm sq.	KBBA1610	5/16	38	25	250	
	KBBA1612	3/8	38	25	250	
	KBBA1614	7/16	38	25	250	
	KBBA1616	1/2	38	25	250	
	KBBA1618	9/16	38	25	250	
	KBBA1620	5/8	38	20	160	
	KBBA1622	11/16	38	20	160	
	KBBA1624	3/4	38	15	120	
	KBBA1626	13/16	38	15	120	
	KBBA1628	7/8	38	15	120	
	KBBA1630	15/16	38	10	100	
	KBBA1632	1	38	10	100	
	KBBA1634	1-1/16	40	10	100	
	KBBA1636	1-1/8	40	10	100	
KBBA1638	1-3/16	40	10	80		
KBBA1640	1-1/4	40	5	40		

## 6PT Flank Deep Impact Sockets

CR-MO DIN 3121



METRIC		Black Phosphate Finished				
DRIVE	ITEM NO.	SIZE(mm)	L(mm)			
3/8" 9.5mm sq.	KABE1208	8	65	10	160	
	KABE1209	9	65	10	160	
	KABE1210	10	65	10	160	
	KABE1211	11	65	10	160	
	KABE1212	12	65	10	160	
	KABE1213	13	65	10	160	
	KABE1214	14	65	10	160	
	KABE1215	15	65	10	100	
	KABE1216	16	65	10	100	
	KABE1217	17	65	10	100	
	KABE1218	18	65	10	100	
	KABE1219	19	65	10	100	
	KABE1220	20	65	5	50	
	KABE1221	21	65	5	50	
KABE1222	22	65	5	50		
1/2" 12.7mm sq.	KABE1608	8	78	10	80	
	KABE1609	9	78	10	80	
	KABE1610	10	78	10	80	
	KABE1611	11	78	10	80	
	KABE1612	12	78	10	80	
	KABE1613	13	78	10	80	
	KABE1614	14	78	10	80	
	KABE1615	15	78	10	80	
	KABE1616	16	78	10	80	
	KABE1617	17	78	10	40	
	KABE1618	18	78	10	40	
	KABE1619	19	78	10	40	
	KABE1620	20	78	10	40	

DRIVE	ITEM NO.	SIZE(mm)	L(mm)			
1/2" 12.7mm sq.	KABE1621	21	78	10	40	
	KABE1622	22	78	10	40	
	KABE1623	23	78	10	40	
	KABE1624	24	78	10	40	
	KABE1625	25	78	10	40	
	KABE1626	26	78	10	40	
	KABE1627	27	78	8	32	
	KABE1628	28	78	8	32	
	KABE1629	29	78	8	32	
	KABE1630	30	78	5	20	
	KABE1632	32	78	5	20	
	3/4" 19.0mm sq.	KABE2419	19	90	5	30
		KABE2421	21	90	5	30
		KABE2422	22	90	5	30
KABE2423		23	90	5	30	
KABE2424		24	90	5	30	
KABE2426		26	90	5	30	
KABE2427		27	90	5	30	
KABE2428		28	90	5	30	
KABE2429		29	90	5	30	
KABE2430		30	90	2	16	
KABE2432		32	90	2	16	
KABE2433		33	90	2	16	
KABE2434		34	90	2	16	
KABE2435		35	90	2	16	
KABE2436	36	90	2	16		
KABE2438	38	90	2	16		
KABE2441	41	90	2	16		
KABE2446	46	90	2	16		
1" 25.4mm sq.	KABE3222	22	108	1	8	
	KABE3224	24	108	1	8	
	KABE3227	27	108	1	8	
	KABE3229	29	108	1	8	
	KABE3230	30	108	1	8	
	KABE3232	32	108	1	8	
	KABE3233	33	108	1	8	
	KABE3234	34	108	1	8	
	KABE3235	35	108	1	8	
	KABE3236	36	108	1	8	
	KABE3238	38	108	1	8	
	KABE3241	41	108	1	8	
	KABE3246	46	108	1	8	
	KABE3250	50	108	1	8	
KABE3255	55	108	1	6		
KABE3260	60	108	1	6		
KABE3265	65	108	1	6		
KABE3270	70	108	1	6		

# Impact Sockets, Bit Sockets, Accessories & Air Wrench

## 6PT Flank Deep Impact Sockets

CR-MO DIN 3121



SAE Black Phosphate Finished

DRIVE	ITEM NO.	SIZE(inch)	L(mm)		
1/2" 12.7mm sq.	KBBE1610	5/16	78	10	80
	KBBE1612	3/8	78	10	80
	KBBE1614	7/16	78	10	80
	KBBE1616	1/2	78	10	80
	KBBE1618	9/16	78	10	80
	KBBE1620	5/8	78	10	80
	KBBE1622	11/16	78	10	40
	KBBE1624	3/4	78	10	40
	KBBE1626	13/16	78	10	40
	KBBE1628	7/8	78	10	40
	KBBE1630	15/16	78	10	40
	KBBE1632	1	78	10	40
	KBBE1634	1-1/16	78	8	32
	KBBE1636	1-1/8	78	8	32
	KBBE1638	1-3/16	78	5	20
	KBBE1640	1-1/4	78	5	20

## 1/2" DR. Star Impact Sockets

CR-MO DIN 3121

## 7PCS

1/2" DR. Star Impact Socket Rail Set



Black Phosphate Finished

ITEM NO.	CONTENTS		
GDAG0701	7 KABK1610-1624 E10, E12, E14, E16, E18, E20, E24	10	(SET)

Black Phosphate Finished

DRIVE	ITEM NO.	SIZE	L(mm)		
1/2" 12.7mm sq.	KABK1610	E10	38	25	150
	KABK1612	E12	38	25	150
	KABK1614	E14	38	25	150
	KABK1616	E16	38	25	150
	KABK1618	E18	38	25	150
	KABK1620	E20	38	20	120
	KABK1624	E24	40	15	120

## 1" DR. Square Budd Wheel Impact Sockets (4PT)

CR-MO DIN 3121



METRIC Black Phosphate Finished

DRIVE	ITEM NO.	SIZE(mm)	L(mm)		
1" 25.4mm sq.	KABM3217	17	57	2	16
	KABM3219	19	57	2	16
	KABM3221	21	57	2	16

**TOPTUL**  
Impact Sockets

## Star Bit Impact Sockets

SNCM+V DIN 3121



Black Phosphate Finished

DRIVE	ITEM NO.	SIZE	L(mm)		
3/8" 9.5mm sq.	KADA1220	T20	52	25	200
	KADA1225	T25	52	25	200
	KADA1227	T27	52	25	200
	KADA1230	T30	52	25	200
	KADA1240	T40	52	25	200
	KADA1245	T45	52	25	200
	KADA1250	T50	52	25	200
	KADA1625	T25	60	25	200
	KADA1627	T27	60	25	200
	KADA1630	T30	60	25	200
1/2" 12.7mm sq.	KADA1640	T40	60	25	200
	KADA1645	T45	60	25	200
	KADA1650	T50	60	25	200
	KADA1655	T55	60	25	200
	KADA1660	T60	60	25	200
	KADA1670	T70	60	25	200

## 3/4" DR. Star Bit Impact Sockets

CR-MO DIN 3121



Black Phosphate Finished

DRIVE	ITEM NO.	SIZE	L(mm)		
3/4" 19.0mm sq.	KADA2470	T70	105	5	40
	KADA2480	T80	105	5	40
	KADA2490	T90	105	5	40
	KADA24A0	T100	105	5	40

## 7PCS

3/8" DR. Star Bit Impact Socket Rail Set



Black Phosphate Finished

ITEM NO.	CONTENTS		
GDAG0703	7 KADA1220-1250 T20, T25, T27, T30, T40, T45, T50	15	(SET)

## Hex Bit Impact Sockets

SNCM+V DIN 3121



Black Phosphate Finished

DRIVE	ITEM NO.	SIZE(mm)	L(mm)			
3/8" 9.5mm sq.	KADH1203	3	52	25	200	
	KADH1204	4	52	25	200	
	KADH1205	5	52	25	200	
	KADH1206	6	52	25	200	
	KADH1207	7	52	25	200	
	KADH1208	8	52	25	200	
	KADH1210	10	52	25	200	
	KADH1212	12	52	25	200	
	1/2" 12.7mm sq.	KADH1604	4	60	25	200
		KADH1605	5	60	25	200
		KADH1606	6	60	25	200
		KADH1607	7	60	25	200
KADH1608		8	60	25	200	
KADH1609		9	60	25	100	
KADH1610		10	60	25	100	
KADH1612		12	60	25	100	
KADH1614		14	60	25	100	
KADH1617	17	60	25	100		
KADH1619	19	60	20	80		

## 3/4" DR. Hex Bit Impact Sockets

CR-MO DIN 3121



Black Phosphate Finished

DRIVE	ITEM NO.	SIZE(mm)	L(mm)		
3/4" 19.0mm sq.	KADH2414	14	105	5	40
	KADH2417	17	105	5	40
	KADH2419	19	105	5	40
	KADH2422	22	105	2	16
	KADH2424	24	105	2	16
	KADH2427	27	105	2	16

## 7PCS

3/8" DR. Hex Bit Impact Socket Rail Set



Black Phosphate Finished

ITEM NO.	CONTENTS		
GDAG0702	7 KADH1204-1212 4, 5, 6, 7, 8, 10, 12 mm	15	(SET)

# Impact Sockets, Bit Sockets, Accessories & Air Wrench

## Impact Universal Sockets

CR-MO DIN 3121

### 10PCS

3/8" DR. Impact Universal Socket Rail Set



ITEM NO. CONTENTS 10 (SET)

GDAG1001 10 KABG1210-1219  
10, 11, 12, 13, 14, 15, 16, 17, 18, 19 mm

### 10PCS

1/2" DR. Impact Universal Socket Rail Set



ITEM NO. CONTENTS 8 (SET)

GDAG1002 8 KABG1610-1619  
10, 11, 12, 13, 14, 15, 16, 17, 18, 19 mm

DRIVE	ITEM NO.	SIZE(mm)	L(mm)	Hand	Box
3/8" (9.5mm sq.)	KABG1210	10	59	15	120
	KABG1211	11	59	15	120
	KABG1212	12	59	15	120
	KABG1213	13	59	15	120
	KABG1214	14	59	15	120
	KABG1215	15	59	15	120
	KABG1216	16	59	5	40
	KABG1217	17	59	5	40
	KABG1218	18	59	5	40
	KABG1219	19	59	5	40
1/2" (12.7mm sq.)	KABG1221	21	59	5	40
	KABG1222	22	59	5	40
	KABG1610	10	67	5	40
	KABG1611	11	67	5	40
	KABG1612	12	67	5	40
	KABG1613	13	67	5	40
	KABG1614	14	67	5	40
	KABG1615	15	67	5	40
	KABG1616	16	67	5	40
	KABG1617	17	67	5	40
KABG1618	18	67	5	40	
KABG1619	19	67	5	40	
KABG1621	21	67	5	40	
KABG1622	22	67	5	40	

## Impact Universal Joint

CR-MO DIN 3121



TOPTUL new developed impact universal joint provides 360 degrees of rotation at up to a 30 degree angle from vertical. The swivel mechanism is designed with the locking pin inside the socket wall for high strength, durability and safety.

DRIVE	ITEM NO.	L(mm)	Hand	Box
3/8" (9.5mm)	KACU12A5	48	15	240
1/2" (12.7mm)	KACU1606	62	15	120
3/4" (19.0mm)	KACU2410	95	4	40
1" (25.4mm)	KACU3212	114	1	8

## Impact Adapter

CR-MO DIN 3121



DRIVE	ITEM NO.	SIZE	L(mm)	Hand	Box
3/8" (9.5mm)	KACA1216	3/8"(F) x 1/2"(M)	33	10	180
1/2" (12.7mm)	KACA1624	1/2"(F) x 3/4"(M)	44	20	160
3/4" (19.0mm)	KACA2416	3/4"(F) x 1/2"(M)	58	5	50
	KACA2432	3/4"(F) x 1"(M)	58	5	50
1" (25.4mm)	KACA3224	1"(F) x 3/4"(M)	70	2	16
1-1/2" (38.1mm)	KACA4832	1-1/2"(F) x 1"(M)	100	2	8

## Impact Extension Bar

CR-MO DIN 3121



DRIVE	ITEM NO.	L(inch)	Hand	Box
3/8" (9.5mm)	KACE1203	3	25	200
	KACE1206	6	10	120
	KACE1603	3	10	80
1/2" (12.7mm)	KACE1605	5	10	80
	KACE1610	10	5	40
	KACE2404	4	2	32
3/4" (19.0mm)	KACE2407	7	2	20
	KACE2410	10	2	16
	KACE2413	13	2	16
1" (25.4mm)	KACE3207	7	2	16
	KACE3210	10	2	12
	KACE3213	13	2	12

## 1/2" DR. Torque Extension Bar

CR-MO DIN 3121

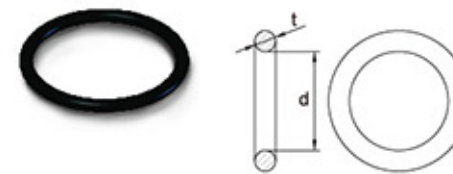


ITEM NO.	CAPACITY	COLOR	Hand	Box
KACT166E	65 ft-lb / 90 Nm	Green	10	80
KACT167E	75 ft-lb / 100 Nm	Black	10	80
KACT1612	120 ft-lb / 160 Nm	Gray	10	80
KACT1613	130 ft-lb / 175 Nm	Brown	10	60
KACT1614	140 ft-lb / 190 Nm	White	10	60
KACT1615	150 ft-lb / 200 Nm	Aqua	10	60

(LENGTH: 195mm)

## O-Ring

DIN 3129



DRIVE	ITEM NO.	SIZE(mm)	d(mm)	t(mm)	Hand	Box
3/8" (9.5mm)	KALO1212	8-12	13	3.5	50	800
	KALO1222	13-22	16	3.5	50	800
1/2" (12.7mm)	KALO1614	8-14	19	4	50	400
	KALO1632	15-32	24	4	50	400
3/4" (19.0mm)	KALO2446	17-46	36	5	50	400
1" (25.4mm)	KALO3270	19-80	45	7	50	200
1" (25.4mm)	KALO4895	85-95	76	10	20	80
1-1/2" (38.1mm)		36-90				

## Impact Extension Bar with Quick Release

CR-MO DIN 3121



DRIVE	ITEM NO.	L(inch)	Hand	Box
1/2" (12.7mm)	KACB1603	3	15	120
	KACB1605	5	10	80
	KACB1610	10	5	40
3/4" (19.0mm)	KACB2407	7	2	24
	KACB2413	13	2	12
1" (25.4mm)	KACB3207	7	2	8
	KACB3213	13	2	8

## Mini Oiler

- For automatic oiling of compressed air tools
- Extends the service life of pneumatic tools
- Compact design and refillable
- Solid brass construction
- Air Inlet & Outlet Thread: 6.3mm (1/4")
- Filling Capacity: 5 c.c.



ITEM NO.	SIZE	L(mm)	Hand	Box
KALA0815	1/4" PT	54	20	80

## Pin

DIN 3129



DRIVE	ITEM NO.	SIZE(mm)	L(mm)	D(mm)	Hand	Box
3/8" (9.5mm)	KALP1212	8-12	14	2.5	50	900
	KALP1222	13-22	16	2.5	50	900
1/2" (12.7mm)	KALP1614	8-14	20	3	50	900
	KALP1632	15-32	25	3	50	900
3/4" (19.0mm)	KALP2446	17-46	35	4	50	900
1" (25.4mm)	KALP3270	19-80	45	5	50	900
1" (25.4mm)	KALP4895	85-95	75	6	20	360
1-1/2" (38.1mm)		36-90				

# Impact Sockets, Bit Sockets, Accessories & Air Wrench

**1/2" DR. 6PT Flank Thin Wall Deep Impact Sockets with Plastic Sleeves** (CR-MO) (DIN 3121)

**1/2" DR. 6PT Flank Thin Wall Deep Impact Sockets with Plastic Sleeves** (CR-MO) (DIN 3121)



DRIVE	ITEM NO.	SIZE(mm)	L(mm)	COLOR	⊕	⊕
1/2" 12.7mm sq.	KABD1617	17	86	Blue	20	80
	KABD1619	19	86	Yellow	20	80
	KABD1621	21	86	Red	20	80
	ITEM NO.	SIZE(inch)	L(mm)	COLOR	⊕	⊕
	* KBBD1626	13/16	86	Purple	20	80

Black Phosphate Finished

DRIVE	ITEM NO.	SIZE(mm)	L(mm)	COLOR	⊕	⊕
1/2" 12.7mm sq.	KABC1617	17	86	Blue	20	80
	KABC1619	19	86	Green	20	80
	KABC1621	21	86	Red	20	80
	KABC1622	22	86	Yellow	20	80
	ITEM NO.	SIZE(inch)	L(mm)	COLOR	⊕	⊕
	KBBC1626	13/16	86	White	20	80

**3PCS 1/2" DR. 6PT Flank Thin Wall Deep Impact Socket Set** (CR-MO) (1/2")

**3PCS 1/2" DR. 6PT Flank Thin Wall Deep Impact Socket Set** (CR-MO) (1/2")



Black Phosphate Finished

ITEM NO.	SIZE
GDAI0301	17, 19, 21 mm

CONTENTS: 3 KABD1617-1621 1/2" Dr. 6PT Flank Thin Wall Deep Impact Sockets 17, 19, 21 mm

BLOW CASE: W150 x D130 x H50 (mm)

Black Phosphate Finished

ITEM NO.	SIZE
GDAI0302	17, 19, 21 mm

CONTENTS: 3 KABC1617-1621 1/2" DR. 6PT Flank Thin Wall Deep Impact Sockets with Plastic Sleeves 17, 19, 21 mm

BLOW CASE: W150 x D130 x H50 (mm)

**27PCS 1/2" DR. Flank Impact Socket Set** (CR-MO) (1/2")

**27PCS 1/2" DR. Flank Impact Socket Set** (CR-MO) (1/2")



Black Phosphate Finished

ITEM NO.	SIZE
GCAI2701	10, 11, 12, 13, 14, 15, 16, 17, 18, 19, 21, 22, 23, 24, 27, 30, 32 mm

CONTENTS: 17 KABA1610-1632 1/2" Dr. 6PT Flank Impact Sockets 10, 11, 12, 13, 14, 15, 16, 17, 18, 19, 21, 22, 23, 24, 27, 30, 32 mm  
1 KACE1605 1/2" Dr. Impact Extension Bar - 5" (L)  
1 KACU1606 1/2" Dr. Impact Universal Joint  
2 KALP1614 Pin - Size (8-14 mm)  
2 KALP1632 Pin - Size (15-32 mm)  
2 KALO1614 O-Ring - Size (8-14 mm)  
2 KALO1632 O-Ring - Size (15-32 mm)

BLOW CASE: W392 x D210 x H88 (mm)

**TOPTUL**  
IMPACT SOCKET SET

**7PCS 3/8" DR. Hex Bit Impact Socket Set** (SNCM+V) (3/8")

**7PCS 3/8" DR. Star Bit Impact Socket Set** (SNCM+V) (3/8")



Black Phosphate Finished

ITEM NO.	SIZE
GDAI0704	4, 5, 6, 7, 8, 10, 12 mm

CONTENTS: 7 KADH1204-1212 3/8" Dr. Hex Bit Impact Sockets 4, 5, 6, 7, 8, 10, 12 mm

BLOW CASE: W200 x D105 x H35 (mm)

Black Phosphate Finished

ITEM NO.	SIZE
GDAI0703	T20, T25, T27, T30, T40, T45, T50

CONTENTS: 7 KADA1220-1250 3/8" Dr. Star Bit Impact Sockets T20, T25, T27, T30, T40, T45, T50

BLOW CASE: W200 x D105 x H35 (mm)

**7PCS 1/2" DR. Hex Bit Impact Socket Set** (SNCM+V) (1/2")

**7PCS 1/2" DR. Star Bit Impact Socket Set** (SNCM+V) (1/2")



Black Phosphate Finished

ITEM NO.	SIZE
GDAI0702	4, 5, 6, 8, 10, 12, 14 mm

CONTENTS: 7 KADH1604-1614 1/2" Dr. Hex Bit Impact Sockets 4, 5, 6, 8, 10, 12, 14 mm

BLOW CASE: W250 x D120 x H40 (mm)

Black Phosphate Finished

ITEM NO.	SIZE
GDAI0701	T30, T40, T45, T50, T55, T60, T70

CONTENTS: 7 KADA1630-1670 1/2" Dr. Star Bit Impact Sockets T30, T40, T45, T50, T55, T60, T70

BLOW CASE: W250 x D120 x H40 (mm)

**8PCS 3/4" DR. 6PT Flank Impact Socket Set** (CR-MO) (3/4")

**8PCS 3/4" DR. 6PT Flank Deep Impact Socket Set** (CR-MO) (3/4")



Black Phosphate Finished

ITEM NO.	SIZE
GDAI0802	22, 24, 27, 30, 32, 33, 36, 38 mm

CONTENTS: 8 KABA2422-2438 3/4" Dr. 6PT Flank Impact Sockets 22, 24, 27, 30, 32, 33, 36, 38 mm

BLOW CASE: W452 x D119 x H64 (mm)

Black Phosphate Finished

ITEM NO.	SIZE
GDAI0804	22, 24, 27, 30, 32, 33, 36, 38 mm

CONTENTS: 8 KABE2422-2438 3/4" Dr. 6PT Flank Deep Impact Sockets 22, 24, 27, 30, 32, 33, 36, 38 mm

BLOW CASE: W452 x D119 x H64 (mm)

**Impact Sockets, Bit Sockets, Accessories & Air Wrench**



**8PCS**  
3/8" DR. 6PT Flank Deep Impact Socket Set (CR-MO)  
3/8"



ITEM NO. **GDAD0808** Black Phosphate Finished  
CONTENTS 10 (SET)  
KABE1208-1219  
3/8" Dr. 6PT Flank Deep Impact Sockets  
8, 10, 11, 12, 13, 14, 17, 19 mm  
METAL CASE: W197 x D103 x H33 (mm)

**10PCS**  
1/2" DR. 6PT Flank Impact Socket Set (METRIC) (CR-MO)  
1/2"



ITEM NO. **GDAD1001** Black Phosphate Finished  
CONTENTS 16 (SET)  
KABA1610-1624  
1/2" Dr. 6PT Flank Impact Sockets  
10, 11, 12, 13, 14, 17, 19, 21, 22, 24 mm  
METAL CASE: W303 x D45 x H47 (mm)

**10PCS**  
1/2" DR. 6PT Flank Impact Socket Set (SAE) (CR-MO)  
1/2"



ITEM NO. **GEAD1001** Black Phosphate Finished  
CONTENTS 16 (SET)  
KBBA1614-1632  
1/2" Dr. 6PT Flank Impact Sockets  
7/16", 1/2", 9/16", 5/8", 11/16", 3/4", 13/16", 7/8", 15/16", 1"  
METAL CASE: W303 x D45 x H47 (mm)

**12PCS**  
3/8" DR. 6PT Flank Deep Impact Socket Set (CR-MO)  
3/8"



ITEM NO. **GDAD1201** Black Phosphate Finished  
CONTENTS 8 (SET)  
KABE1208-1219  
3/8" Dr. 6PT Flank Deep Impact Sockets  
8, 9, 10, 11, 12, 13, 14, 15, 16, 17, 18, 19 mm  
METAL CASE: W313 x D111 x H38 (mm)

**10PCS**  
1/2" DR. 6PT Flank Deep Impact Socket Set (METRIC) (CR-MO)  
1/2"



ITEM NO. **GDAD1002** Black Phosphate Finished  
CONTENTS 8 (SET)  
KABA1610-1624  
1/2" Dr. 6PT Flank Deep Impact Sockets  
10, 11, 12, 13, 14, 17, 19, 21, 22, 24 mm  
METAL CASE: W313 x D111 x H38 (mm)

**10PCS**  
1/2" DR. 6PT Flank Deep Impact Socket Set (SAE) (CR-MO)  
1/2"



ITEM NO. **GEAD1002** Black Phosphate Finished  
CONTENTS 8 (SET)  
KBBA1614-1632  
1/2" Dr. 6PT Flank Deep Impact Sockets  
7/16", 1/2", 9/16", 5/8", 11/16", 3/4", 13/16", 7/8", 15/16", 1"  
METAL CASE: W313 x D111 x H38 (mm)

**18PCS**  
1/2" DR. Flank Impact Socket Set (CR-MO)  
1/2"



ITEM NO. **GBA1836** Black Phosphate Finished  
CONTENTS 4 (SET)  
KABA1610-1632  
1/2" Dr. 6PT Flank Impact Sockets  
10, 11, 12, 13, 14, 15, 16, 17, 18, 19, 21, 22, 23, 24, 27, 30, 32 mm  
KACE1605  
1/2" Dr. Impact Extension Bar - 5" (L)  
METAL CASE: W361 x D137 x H53 (mm)

**18PCS**  
1/2" DR. 6PT Flank Impact Socket Set (CR-MO)  
1/2"



ITEM NO. **GCAD1807** Black Phosphate Finished  
CONTENTS 6 (SET)  
KABA1610-1632  
1/2" Dr. 6PT Flank Impact Sockets  
10, 11, 12, 13, 14, 15, 16, 17, 18, 19, 21, 22, 23, 24, 27, 30, 32 mm  
KACE1605  
1/2" Dr. Impact Extension Bar - 5" (L)  
METAL CASE: W370 x D154 x H50 (mm)

**32PCS**  
1/2" DR. Flank Impact Socket Set (CR-MO)  
1/2"



ITEM NO. **GDAD3201** Black Phosphate Finished  
CONTENTS 3 (SET)  
KABA1608-1632  
1/2" Dr. 6PT Flank Impact Sockets  
8, 9, 10, 11, 12, 13, 14, 15, 16, 17, 18, 19, 21, 22, 24, 27, 30, 32 mm  
KABE1612-1632  
1/2" Dr. 6PT Flank Deep Impact Sockets  
12, 13, 14, 16, 17, 19, 21, 22, 24, 27, 30, 32 mm  
KACE1605  
1/2" Dr. Impact Extension Bar - 5" (L)  
KACU1606  
1/2" Dr. Impact Universal Joint  
METAL CASE: W445 x D188 x H50 (mm)

Impact Sockets, Bit Sockets, Accessories & Air Wrench



**15PCS**  
1/2" DR. 6PT Flank Impact Socket Set  
1/2"

CR-MO



ITEM NO. **GDAD1501** Black Phosphate Finished  
CONTENTS 6 (SET)  
15 KABA1610-1624  
1/2" Dr. 6PT Flank Impact Sockets  
10, 11, 12, 13, 14, 15, 16, 17, 18, 19, 20, 21, 22, 23, 24 mm  
METAL CASE: W240 x D110 x H50 (mm)

**8PCS**  
1" DR. 6PT Flank Impact Socket Set  
1"

CR-MO



ITEM NO. **GDAD0803** Black Phosphate Finished  
CONTENTS 3 (SET)  
8 KABA3224-3241  
1" Dr. 6PT Flank Impact Sockets  
24, 27, 30, 32, 33, 36, 38, 41 mm  
METAL CASE: W278 x D128 x H75 (mm)

**14PCS**  
1/2" DR. 6PT Flank Impact Socket Set  
1/2"

CR-MO



ITEM NO. **GEAD1401** Black Phosphate Finished  
CONTENTS 6 (SET)  
14 KBBA1612-1640  
1/2" Dr. 6PT Flank Impact Sockets  
3/8", 7/16", 1/2", 9/16", 5/8", 11/16", 3/4", 13/16", 7/8", 15/16", 1", 1-1/16",  
1-1/8", 1-1/4"  
METAL CASE: W240 x D110 x H50 (mm)

**9PCS**  
1" DR. Flank Impact Socket Set  
1"

CR-MO



ITEM NO. **GDAD0901** Black Phosphate Finished  
CONTENTS 3 (SET)  
9 KABA3224-3241  
1" Dr. 6PT Flank Impact Sockets  
24, 27, 32, 36, 38, 41 mm  
3 KABM3217-3221  
1" Dr. Square Budd Wheel Impact Sockets (4PT)  
17, 19, 21 mm  
METAL CASE: W278 x D128 x H75 (mm)

**8PCS**  
3/4" DR. 6PT Flank Impact Socket Set  
3/4"

CR-MO



ITEM NO. **GDAD0805** Black Phosphate Finished  
CONTENTS 4 (SET)  
8 KABA2419-2436  
3/4" Dr. 6PT Flank Impact Sockets  
19, 22, 24, 27, 30, 32, 34, 36 mm  
METAL CASE: W410 x D64 x H60 (mm)

**8PCS**  
3/4" DR. 6PT Flank Deep Impact Socket Set  
3/4"

CR-MO



ITEM NO. **GDAD0807** Black Phosphate Finished  
CONTENTS 2 (SET)  
8 KABE2422-2438  
3/4" Dr. 6PT Flank Deep Impact Sockets  
22, 24, 27, 30, 32, 34, 36, 38 mm  
METAL CASE: W430 x D103 x H70 (mm)

**8PCS**  
3/4" DR. 6PT Flank Impact Socket Set  
3/4"

CR-MO



ITEM NO. **GDAD0801** Black Phosphate Finished  
CONTENTS 4 (SET)  
8 KABA2426-2438  
3/4" Dr. 6PT Flank Impact Sockets  
26, 27, 29, 30, 32, 35, 36, 38 mm  
METAL CASE: W410 x D64 x H60 (mm)

**8PCS**  
3/4" DR. 6PT Flank Deep Impact Socket Set  
3/4"

CR-MO



ITEM NO. **GDAD0802** Black Phosphate Finished  
CONTENTS 2 (SET)  
8 KABE2426-2438  
3/4" Dr. 6PT Flank Deep Impact Sockets  
26, 27, 29, 30, 32, 35, 36, 38 mm  
METAL CASE: W430 x D103 x H70 (mm)

**8PCS**  
3/4" DR. 6PT Flank Impact Socket Set  
3/4"

CR-MO



ITEM NO. **GDAD0806** Black Phosphate Finished  
CONTENTS 4 (SET)  
8 KABA2422-2441  
3/4" Dr. 6PT Flank Impact Sockets  
22, 24, 27, 30, 32, 36, 38, 41 mm  
METAL CASE: W410 x D64 x H60 (mm)

**8PCS**  
1" DR. 6PT Flank Deep Impact Socket Set  
1"

CR-MO



ITEM NO. **GDAD0804** Black Phosphate Finished  
CONTENTS 2 (SET)  
8 KABE3224-3241  
1" Dr. 6PT Flank Deep Impact Sockets  
24, 27, 30, 32, 33, 36, 38, 41 mm  
METAL CASE: W460 x D128 x H80 (mm)

# Impact Sockets, Bit Sockets, Accessories & Air Wrench

## Super Duty Air Ratchet Wrench

**3/8" DR.**  
Mini Super Duty Air Ratchet Wrench  
• Rear Exhaust with Muffler



ITEM NO.	KAAE1202	12
<b>SPECIFICATIONS</b>		
Max. Torque	30 ft-lb / 41 Nm	
Free Speed	350 RPM	
Air Pressure	90 PSI / 6.2 BAR	
Air Consumption	2.24 CFM	
Air Inlet	1/4" PT	
Min. Air Hose	5/16" I.D.	
Overall Length	5-13/32" / 128 mm	
Net Weight	0.99 lbs / 0.45 kgs	

**3/8" DR.**  
Mini Super Duty Air Impact Wrench  
• Handle Exhaust with Muffler



ITEM NO.	KAAG1206	12
<b>SPECIFICATIONS</b>		
Max. Torque	60 ft-lb / 81 Nm	
Free Speed	11000 RPM	
Air Pressure	90 PSI / 6.2 BAR	
Air Consumption	1.76 CFM	
Air Inlet	1/4" PT	
Min. Air Hose	3/8" I.D.	
Overall Length	5-29/32" / 150 mm	
Net Weight	1.56 lbs / 0.71 kgs	

**3/8" DR.**  
Super Duty Air Ratchet Wrench  
• Rear Exhaust with Muffler



ITEM NO.	KAAF1205	10
<b>SPECIFICATIONS</b>		
Max. Torque	75 ft-lb / 102 Nm	
Free Speed	160 RPM	
Air Pressure	90 PSI / 6.2 BAR	
Air Consumption	3.92 CFM	
Air Inlet	1/4" PT	
Min. Air Hose	5/16" I.D.	
Overall Length	10-1/2" / 266 mm	
Net Weight	2.64 lbs / 1.2 kgs	

**3/8" DR.**  
Super Duty Air Ratchet Wrench  
• Rear Exhaust with Muffler



ITEM NO.	KAAF1204	30
<b>SPECIFICATIONS</b>		
Max. Torque	40 ft-lb / 54 Nm	
Free Speed	270 RPM	
Air Pressure	90 PSI / 6.2 BAR	
Air Consumption	2.8 CFM	
Air Inlet	1/4" PT	
Min. Air Hose	3/8" I.D.	
Overall Length	8-1/16" / 205 mm	
Net Weight	1.45 lbs / 0.66 kgs	

**1/2" DR.**  
Super Duty Air Ratchet Wrench  
• Rear Exhaust with Muffler



ITEM NO.	KAAF1605	10
<b>SPECIFICATIONS</b>		
Max. Torque	75 ft-lb / 102 Nm	
Free Speed	160 RPM	
Air Pressure	90 PSI / 6.2 BAR	
Air Consumption	3.92 CFM	
Air Inlet	1/4" PT	
Min. Air Hose	5/16" I.D.	
Overall Length	10-1/2" / 266 mm	
Net Weight	2.64 lbs / 1.2 kgs	

**3/8" DR.**  
Super Duty Air Ratchet Wrench  
• Rotary Exhaust with Muffler



ITEM NO.	KAAF1210	12
<b>SPECIFICATIONS</b>		
Max. Torque	100 ft-lb / 136 Nm	
Free Speed	225 RPM	
Air Pressure	90 PSI / 6.2 BAR	
Air Consumption	4 CFM	
Air Inlet	1/4" PT	
Min. Air Hose	3/8" I.D.	
Overall Length	12-13/32" / 315 mm	
Net Weight	3.39 lbs / 1.54 kgs	

# Super Duty Air Ratchet Wrench

• Rotary Exhaust with Muffler



**Dust-Free Compact Head Cap**

Sealed ratchet head prevents dirt and dust from entering.

**Reversible Drive Mechanism**

Drive in both forward and reverse directions.

**Composite Grip Handle**

Lightweight and ergonomic design for positive grip.

**Unique Designed Air Inlet**

360° adjustable air inlet prevents the air hose from damage.

**Dual Pawl Ratchet Design**

Stronger torque output and extends tool life.

**360° Exhaust Rotation**

Convenient to direct the air away from working area.

**KAAF1208**

## AIR RATCHET



ITEM NO.	KAAF1208	12
<b>SPECIFICATIONS</b>		
Max. Torque	80 ft-lb / 108 Nm	
Free Speed	280 RPM	
Air Pressure	90 PSI / 6.2 BAR	
Air Consumption	4 CFM	
Air Inlet	1/4" PT	
Min. Air Hose	3/8" I.D.	
Overall Length	10-29/32" / 277 mm	
Net Weight	2.7 lbs / 1.23 kgs	

**1/2" DR.**  
Super Duty Air Ratchet Wrench  
• Rotary Exhaust with Muffler



ITEM NO.	KAAF1608	12
<b>SPECIFICATIONS</b>		
Max. Torque	80 ft-lb / 108 Nm	
Free Speed	280 RPM	
Air Pressure	90 PSI / 6.2 BAR	
Air Consumption	4 CFM	
Air Inlet	1/4" PT	
Min. Air Hose	3/8" I.D.	
Overall Length	10-29/32" / 277 mm	
Net Weight	2.7 lbs / 1.23 kgs	

**1/2" DR.**  
Super Duty Air Ratchet Wrench  
• Rotary Exhaust with Muffler

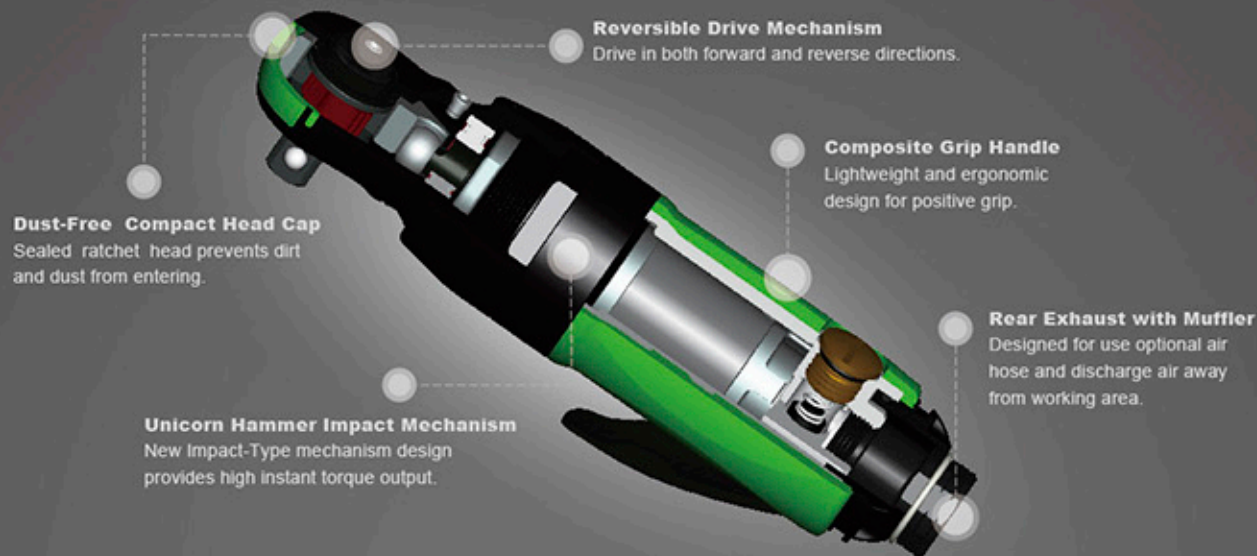


ITEM NO.	KAAF1610	12
<b>SPECIFICATIONS</b>		
Max. Torque	100 ft-lb / 136 Nm	
Free Speed	225 RPM	
Air Pressure	90 PSI / 6.2 BAR	
Air Consumption	4 CFM	
Air Inlet	1/4" PT	
Min. Air Hose	3/8" I.D.	
Overall Length	12-13/32" / 315 mm	
Net Weight	3.39 lbs / 1.54 kgs	

# Mini Super Duty Air Impact Ratchet Wrench

High-performance

- Impact Mechanism : Unicorn Hammer
- Rear Exhaust With Muffler



**Dust-Free Compact Head Cap**  
Sealed ratchet head prevents dirt and dust from entering.

**Reversible Drive Mechanism**  
Drive in both forward and reverse directions.

**Composite Grip Handle**  
Lightweight and ergonomic design for positive grip.

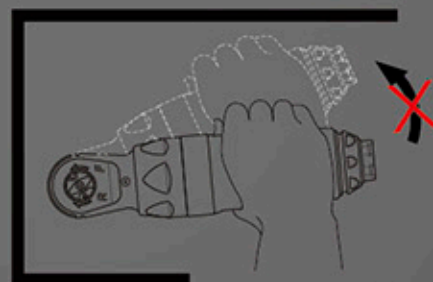
**Rear Exhaust with Muffler**  
Designed for use optional air hose and discharge air away from working area.

**Unicorn Hammer Impact Mechanism**  
New Impact-Type mechanism design provides high instant torque output.



Pressure High Torque High Speed

High R.P.M. design enables ratchet to shorten 2 x operating time for reaching high instant torque.



Reactionless

Featured reaction less design, enables to prevent incidental slip / injure while conducting on-site tasks in limit space.

When bolts are tightened, the ratchet remains in the same position, sway forward occurs.

## KAAP1205

- NEW

ITEM NO.	KAAP1205
<b>SPECIFICATIONS</b>	
Max. Torque	50 ft-lb / 68 Nm
Free Speed	700 RPM
Air Pressure	90 PSI / 6.2 BAR
Air Consumption	3.1 CFM
Air Inlet	1/4" PT
Min. Air Hose	3/8" I.D.
Overall Length	6-1/2" / 164 mm
Net Weight	1.32 lbs / 0.6 kgs

30

3/8" DR.

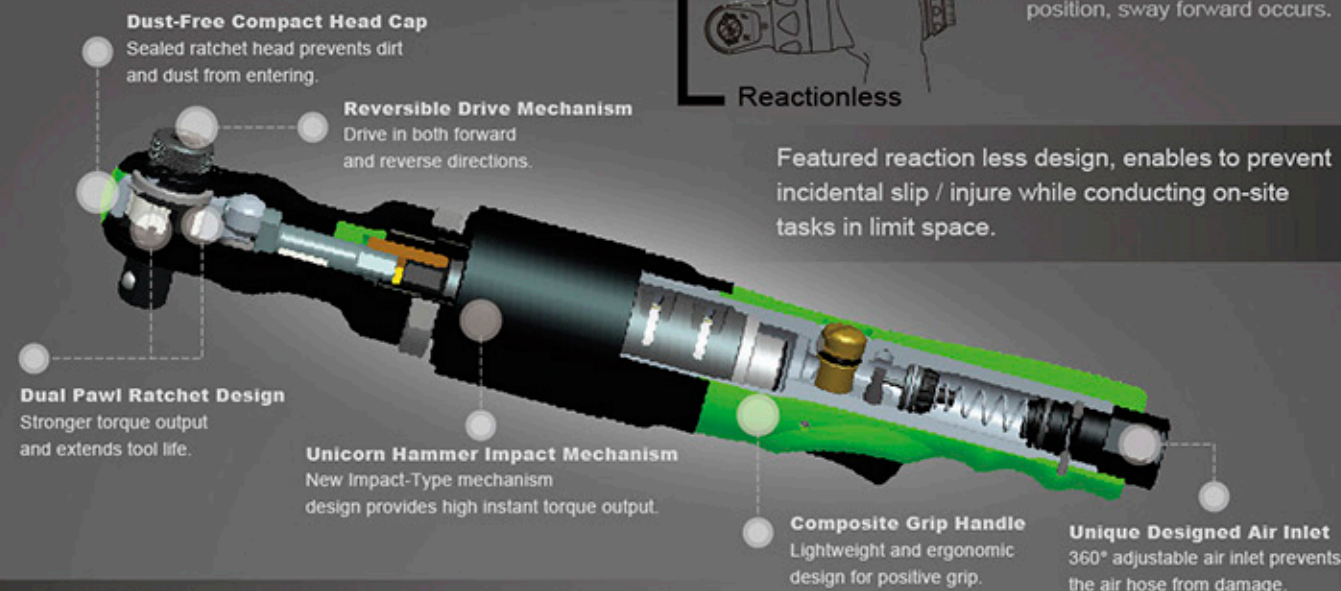
50 FT-LBS



# Super Duty Air Impact Ratchet Wrench

High-performance

- Impact Mechanism : Unicorn Hammer
- Front Exhaust with Muffler



**Dust-Free Compact Head Cap**  
Sealed ratchet head prevents dirt and dust from entering.

**Reversible Drive Mechanism**  
Drive in both forward and reverse directions.

**Dual Pawl Ratchet Design**  
Stronger torque output and extends tool life.

**Unicorn Hammer Impact Mechanism**  
New Impact-Type mechanism design provides high instant torque output.

**Composite Grip Handle**  
Lightweight and ergonomic design for positive grip.

**Unique Designed Air Inlet**  
360° adjustable air inlet prevents the air hose from damage.



Reactionless

When bolts are tightened, the ratchet remains in the same position, sway forward occurs.

Featured reaction less design, enables to prevent incidental slip / injure while conducting on-site tasks in limit space.

High R.P.M. design enables ratchet to shorten 2 x operating time for reaching high instant torque.

## KAAL1610

1/2" DR.



Pressure High Torque High Speed



100 FT-LBS

## KAAL1612

1/2" DR.



Pressure High Torque High Speed



120 FT-LBS

- NEW

ITEM NO.	KAAL1610
<b>SPECIFICATIONS</b>	
Max. Torque	100 ft-lb / 136 Nm
Free Speed	600 RPM
Air Pressure	90 PSI / 6.2 BAR
Air Consumption	4 CFM
Air Inlet	1/4" PT
Min. Air Hose	3/8" I.D.
Overall Length	11-7/8" / 301 mm
Net Weight	3.97 lbs / 1.8 kgs

12

- NEW

ITEM NO.	KAAL1612
<b>SPECIFICATIONS</b>	
Max. Torque	120 ft-lb / 163 Nm
Free Speed	600 RPM
Air Pressure	90 PSI / 6.2 BAR
Air Consumption	4.2 CFM
Air Inlet	1/4" PT
Min. Air Hose	3/8" I.D.
Overall Length	13-3/4" / 350 mm
Net Weight	4.14 lbs / 1.88 kgs

10



# Super Duty Air Impact Wrench



**EXCLUSIVE & UNIQUE PRODUCT**

*Ideal for  
Automotive & Industrial*

- Impact Mechanism : Jumbo Hammer
- Handle Exhaust with Muffler

## KAAX1235

3/8" DR.



**350  
FT-LBS**

ITEM NO.	KAAX1235
<b>SPECIFICATIONS</b>	
Max. Torque	350 ft-lb / 475 Nm
Free Speed	8000 RPM
Air Pressure	90 PSI / 6.2 BAR
Air Consumption	4.5 CFM
Air Inlet	1/4" PT
Min. Air Hose	3/8" I.D.
Overall Length	5-5/16" / 135 mm
Net Weight	3.96 lbs / 1.8 kgs

- Impact Mechanism : Twin Hammer
- Handle Exhaust with Muffler

## KAAX1650

1/2" DR.



**500  
FT-LBS**

ITEM NO.	KAAX1650
<b>SPECIFICATIONS</b>	
Max. Torque	500 ft-lb / 678 Nm
Free Speed	10000 RPM
Air Pressure	90 PSI / 6.2 BAR
Air Consumption	5.6 CFM
Air Inlet	1/4" PT
Min. Air Hose	3/8" I.D.
Overall Length	5-45/64" / 145 mm
Net Weight	4.18 lbs / 1.9 kgs

- Impact Mechanism : Twin Hammer
- Handle Exhaust with Muffler

## KAAX1660

1/2" DR.



**600  
FT-LBS**

ITEM NO.	KAAX1660
<b>SPECIFICATIONS</b>	
Max. Torque	600 ft-lb / 813 Nm
Free Speed	10000 RPM
Air Pressure	90 PSI / 6.2 BAR
Air Consumption	5.6 CFM
Air Inlet	1/4" PT
Min. Air Hose	3/8" I.D.
Overall Length	6-3/4" / 171 mm
Net Weight	4.23 lbs / 1.92 kgs

# Super Duty Air Impact Wrench



# Super Duty Air Impact Wrench

High-performance

- Impact Mechanism : Jumbo Hammer
- Handle Exhaust with Muffler

**Super Short Barrel Model**  
Easier to operate in confined spaces.

**Durable & Long Life Anvil**  
High quality material made durable anvil with special heat treatment.

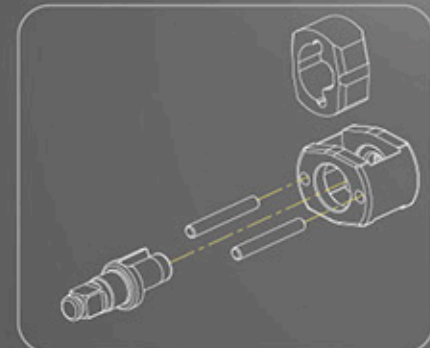
**Jumbo Hammer Impact Mechanism**  
Super duty designed impact mechanism extends and ensures maximum tool life.

**End Cap Slider Guide Trigger**  
Easy operation design.

**Air Regulator**  
4 position power setting.  
Forward: 3 speed  
Reverse: 1 speed

**Improved Air Inlet**  
Effectively reduces the damage of thread.

**Handle Exhaust with Muffler**  
Reduces noise level and discharge air away from working area.



**KAAQ1650**

**1/2" DR.**

**500 FT-LBS**

**Powerful, Lightweight & Super Short Barrel Model** **- NEW**

ITEM NO.	KAAQ1650
<b>SPECIFICATIONS</b>	
Max. Torque	500 ft-lb / 678 Nm
Free Speed	9500 RPM
Air Pressure	90 PSI / 6.2 BAR
Air Consumption	4.7 CFM
Air Inlet	1/4" PT
Min. Air Hose	3/8" I.D.
Overall Length	3-13/16" / 97 mm
Net Weight	3.64 lbs / 1.65 kgs

# Impact Sockets, Bit Sockets, Accessories & Air Wrench

**3/8" DR.**  
Super Duty Air Impact Wrench  
• Impact Mechanism : Jumbo Hammer  
• Handle Exhaust with Muffler



ITEM NO.	KAAA1220
<b>SPECIFICATIONS</b>	
Max. Torque	200 ft-lb / 271 Nm
Free Speed	10000 RPM
Air Pressure	90 PSI / 6.2 BAR
Air Consumption	2.5 CFM
Air Inlet	1/4" PT
Min. Air Hose	3/8" I.D.
Overall Length	5-1/2" / 139 mm
Net Weight	3.00 lbs / 1.36 kgs

**1/2" DR.**  
Super Duty Air Impact Wrench  
• Impact Mechanism : Jumbo Hammer  
• Handle Exhaust with Muffler



ITEM NO.	KAAA1620
<b>SPECIFICATIONS</b>	
Max. Torque	200 ft-lb / 271 Nm
Free Speed	10000 RPM
Air Pressure	90 PSI / 6.2 BAR
Air Consumption	2.5 CFM
Air Inlet	1/4" PT
Min. Air Hose	3/8" I.D.
Overall Length	5-1/2" / 139 mm
Net Weight	3.00 lbs / 1.36 kgs

**1/2" DR.**  
Super Duty Air Impact Wrench  
• Impact Mechanism : Jumbo Hammer  
• Handle Exhaust with Muffler



**500 FT-LBS**  
**MINI DESIGN**  
**LIGHT WEIGHT**

• Powerful, Lightweight & Short Barrel Model

ITEM NO.	KAAA1650
<b>SPECIFICATIONS</b>	
Max. Torque	500 ft-lb / 678 Nm
Free Speed	10000 RPM
Air Pressure	90 PSI / 6.2 BAR
Air Consumption	4.76 CFM
Air Inlet	1/4" PT
Min. Air Hose	3/8" I.D.
Overall Length	4-23/32" / 120 mm
Net Weight	3.42 lbs / 1.55 kgs

**1/2" DR.**  
Super Duty Air Impact Wrench  
• Impact Mechanism : Twin Hammer  
• Front Exhaust



• 5-Position Forward & Reverse Power Setting

ITEM NO.	KAAA1650B
<b>SPECIFICATIONS</b>	
Max. Torque	500 ft-lb / 678 Nm
Free Speed	8000 RPM
Air Pressure	90 PSI / 6.2 BAR
Air Consumption	4 CFM
Air Inlet	1/4" PT
Min. Air Hose	3/8" I.D.
Overall Length	7-5/64" / 180 mm
Net Weight	5.73 lbs / 2.60 kgs



**1/2" DR.**  
Super Duty Air Impact Wrench  
• Impact Mechanism : New Twin Hammer  
• Handle Exhaust with Muffler



ITEM NO.	KAAA1660
<b>SPECIFICATIONS</b>	
Max. Torque	700 ft-lb / 949 Nm
Free Speed	6500 RPM
Air Pressure	90 PSI / 6.2 BAR
Air Consumption	4.4 CFM
Air Inlet	1/4" PT
Min. Air Hose	3/8" I.D.
Overall Length	7-1/2" / 191 mm
Net Weight	6.24 lbs / 2.83 kgs

# Super Duty Air Impact Wrench

High-performance

- Impact Mechanism : Twin Hammer
- Handle Exhaust with Muffler



**Durable & Long Life Anvil**  
High quality material made durable anvil with special heat treatment.

**Durable Aluminum Housing**  
Super strong aluminum die-casting housing for maximum durability and tool life.

**Air Regulator**  
5 position power setting for both forward and reverse directions.

**Twin Hammer Impact Mechanism**  
Well balanced designed impact mechanism. Powerful and high torque output.

**Handle Exhaust with Muffler**  
Reduces noise level and discharge air away from working area.

**KAAA1640**

**1/2" DR.**



ITEM NO.	KAAA1640
<b>SPECIFICATIONS</b>	
Max. Torque	600 ft-lb / 813 Nm
Free Speed	8000 RPM
Air Pressure	90 PSI / 6.2 BAR
Air Consumption	4 CFM
Air Inlet	1/4" PT
Min. Air Hose	3/8" I.D.
Overall Length	7-1/2" / 191 mm
Net Weight	5.78 lbs / 2.62 kgs

# Impact Sockets, Bit Sockets, Accessories & Air Wrench

## AIR TOPTUL Impact Wrench For Automotive Repairs & Maintenance



### Manufacturer's Limited Warranty

All AIR TOPTUL Serial pneumatic tools are provided with complete service and product warranty to the product that manufactured by TOPTUL and sold by it's worldwide authorized dealers.

TOPTUL professional air tools, unless otherwise specified, are unconditionally guaranteed against defects in materials and workmanship for the life of the tool, excluding any other inappropriate operation, modification or repair.

#### 1/2" DR.

Long Anvil Super Duty Air Impact Wrench  
• Impact Mechanism : Twin Hammer  
• Handle Exhaust with Muffler



ITEM NO.	KAAB1640
SPECIFICATIONS	
Max. Torque	400 ft-lb / 542 Nm
Free Speed	8000 RPM
Air Pressure	90 PSI / 6.2 BAR
Air Consumption	4 CFM
Air Inlet	1/4" PT
Min. Air Hose	3/8" I.D.
Overall Length	9-17/32" / 242 mm
Net Weight	6.02 lbs / 2.73 kgs

#### 1/2" DR.

Long Anvil Super Duty Air Impact Wrench  
• Impact Mechanism : New Twin Hammer  
• Handle Exhaust with Muffler



ITEM NO.	KAAB1660
SPECIFICATIONS	
Max. Torque	600 ft-lb / 813 Nm
Free Speed	6500 RPM
Air Pressure	90 PSI / 6.2 BAR
Air Consumption	4.4 CFM
Air Inlet	1/4" PT
Min. Air Hose	3/8" I.D.
Overall Length	9-11/16" / 246 mm
Net Weight	6.50 lbs / 2.95 kgs

#### 3/4" DR.

Super Duty Air Impact Wrench  
• Impact Mechanism : New Twin Hammer  
• Handle Exhaust with Muffler



ITEM NO.	KAAA2460
SPECIFICATIONS	
Max. Torque	600 ft-lb / 813 Nm
Free Speed	6300 RPM
Air Pressure	90 PSI / 6.2 BAR
Air Consumption	4.4 CFM
Air Inlet	1/4" PT
Min. Air Hose	3/8" I.D.
Overall Length	8-5/32" / 207 mm
Net Weight	6.39 lbs / 2.90 kgs

#### 3/4" DR.

Long Anvil Super Duty Air Impact Wrench  
• Impact Mechanism : New Twin Hammer  
• Handle Exhaust with Muffler



ITEM NO.	KAAB2460
SPECIFICATIONS	
Max. Torque	600 ft-lb / 813 Nm
Free Speed	6300 RPM
Air Pressure	90 PSI / 6.2 BAR
Air Consumption	4.4 CFM
Air Inlet	1/4" PT
Min. Air Hose	3/8" I.D.
Overall Length	10-1/2" / 260 mm
Net Weight	6.81 lbs / 3.09 kgs

#### 3/4" DR.

Super Duty Air Impact Wrench  
• Impact Mechanism : New Twin Hammer  
• Handle Exhaust with Muffler



ITEM NO.	KAAA2475
SPECIFICATIONS	
Max. Torque	750 ft-lb / 1016 Nm
Free Speed	6500 RPM
Air Pressure	90 PSI / 6.2 BAR
Air Consumption	7 CFM
Air Inlet	1/4" PT
Min. Air Hose	3/8" I.D.
Overall Length	9-7/32" / 234 mm
Net Weight	9.83 lbs / 4.46 kgs

#### 3/4" DR.

Long Anvil Super Duty Air Impact Wrench  
• Impact Mechanism : New Twin Hammer  
• Handle Exhaust with Muffler



ITEM NO.	KAAB2475
SPECIFICATIONS	
Max. Torque	750 ft-lb / 1016 Nm
Free Speed	6500 RPM
Air Pressure	90 PSI / 6.2 BAR
Air Consumption	7 CFM
Air Inlet	1/4" PT
Min. Air Hose	3/8" I.D.
Overall Length	13-1/2" / 343 mm
Net Weight	10.81 lbs / 4.90 kgs

#### 1" DR.

Super Duty Air Impact Wrench  
• Impact Mechanism : New Twin Hammer  
• Side Exhaust with Muffler  
• Inside Trigger



ITEM NO.	KAAA321808
SPECIFICATIONS	
Max. Torque	1800 ft-lb / 2440 Nm
Free Speed	4000 RPM
Air Pressure	90 PSI / 6.2 BAR
Air Consumption	9 CFM
Air Inlet	1/2" PT
Min. Air Hose	3/4" I.D.
Overall Length	14-15/16" / 380 mm
Net Weight	24.71 lbs / 11.21 kgs

#### 1" DR.

Long Anvil Super Duty Air Impact Wrench  
• Impact Mechanism : New Twin Hammer  
• Side Exhaust with Muffler  
• Inside Trigger



ITEM NO.	KAAB321808
SPECIFICATIONS	
Max. Torque	1800 ft-lb / 2440 Nm
Free Speed	4000 RPM
Air Pressure	90 PSI / 6.2 BAR
Air Consumption	9 CFM
Air Inlet	1/2" PT
Min. Air Hose	3/4" I.D.
Overall Length	20-1/16" / 510 mm
Net Weight	27.18 lbs / 12.33 kgs

#### 1" DR.

Super Duty Air Impact Wrench  
• Impact Mechanism : New Twin Hammer  
• Side Exhaust with Muffler  
• Outside Trigger



ITEM NO.	KAAA321809
SPECIFICATIONS	
Max. Torque	1800 ft-lb / 2440 Nm
Free Speed	4000 RPM
Air Pressure	90 PSI / 6.2 BAR
Air Consumption	9 CFM
Air Inlet	1/2" PT
Min. Air Hose	3/4" I.D.
Overall Length	15-11/32" / 390 mm
Net Weight	24.89 lbs / 11.29 kgs

#### 1" DR.

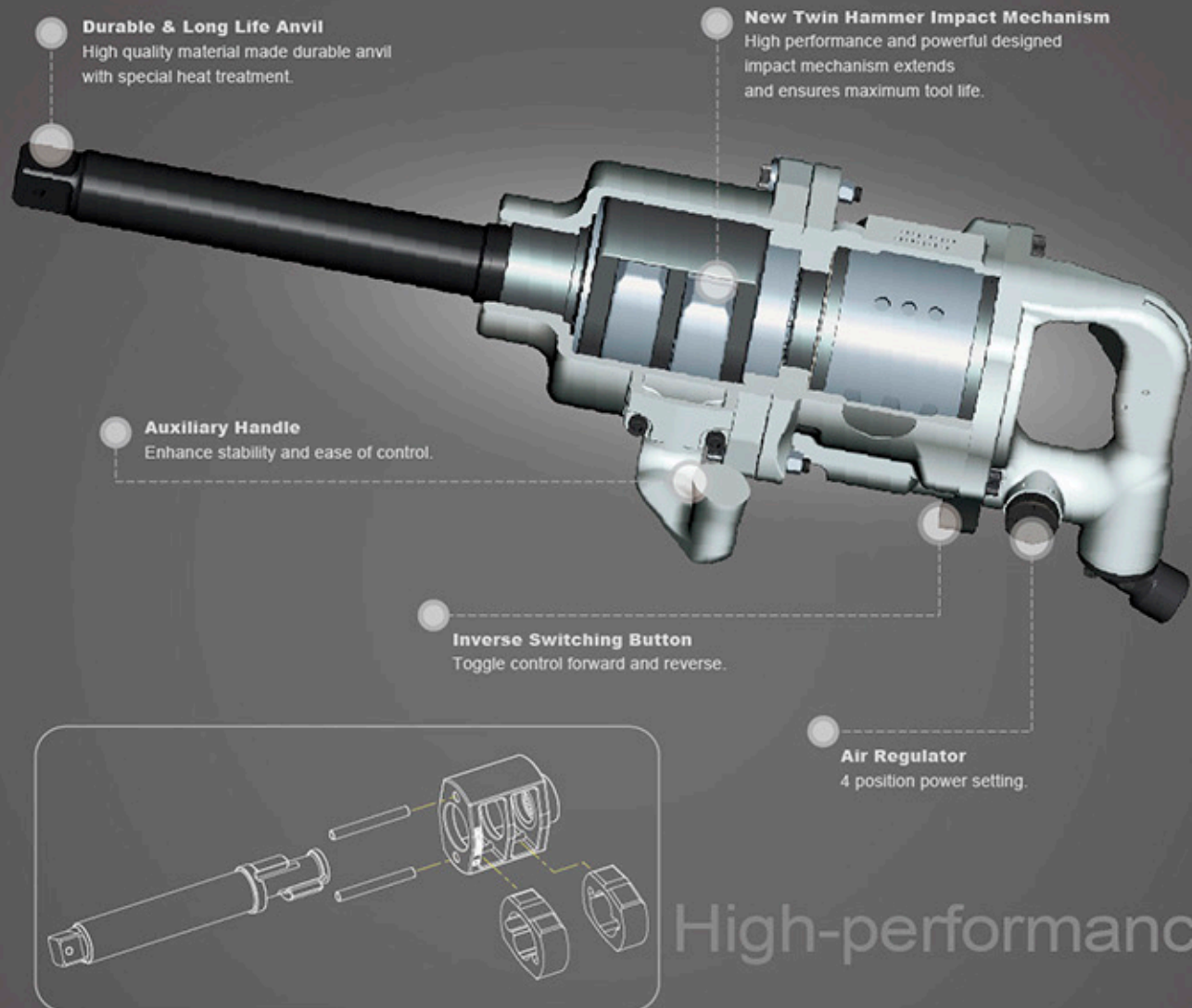
Long Anvil Super Duty Air Impact Wrench  
• Impact Mechanism : New Twin Hammer  
• Side Exhaust with Muffler  
• Outside Trigger



ITEM NO.	KAAB321809
SPECIFICATIONS	
Max. Torque	1800 ft-lb / 2440 Nm
Free Speed	4000 RPM
Air Pressure	90 PSI / 6.2 BAR
Air Consumption	9 CFM
Air Inlet	1/2" PT
Min. Air Hose	3/4" I.D.
Overall Length	20-1/4" / 515 mm
Net Weight	27.27 lbs / 12.37 kgs

# Long Anvil Super Duty Air Impact Wrench

- Impact Mechanism : New Twin Hammer
- Side Exhaust with Muffler
- Inside Trigger



High-performance

**KAAB3225**



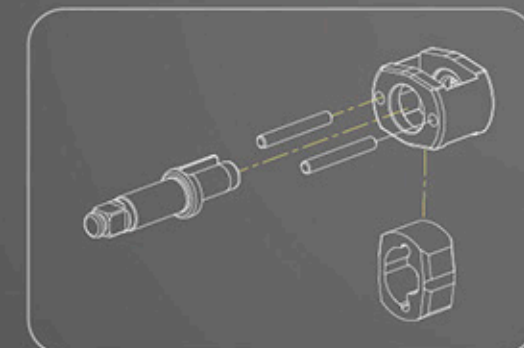
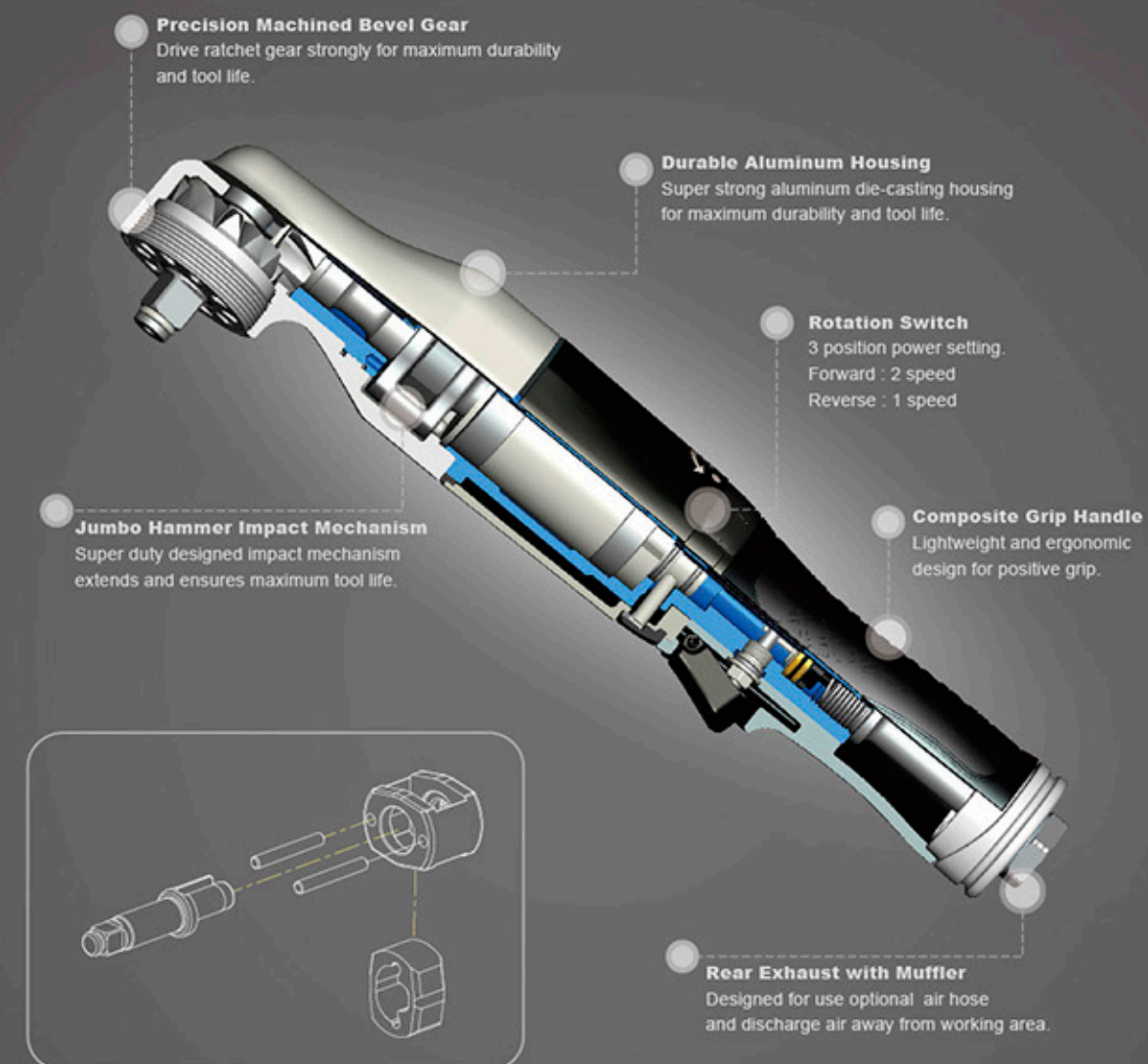
1" DR.

ITEM NO.	KAAB3225	1
<b>SPECIFICATIONS</b>		
Max. Torque	2500 ft-lb / 3390 Nm	
Free Speed	3000 RPM	
Air Pressure	90 PSI / 6.2 BAR	
Air Consumption	14.5 CFM	
Air Inlet	1/2" PT	
Min. Air Hose	3/4" I.D.	
Overall Length	25" / 634 mm	
Net Weight	37.04 lbs / 16.8 kgs	

# Super Duty Air Angle Impact Wrench

- Impact Mechanism : Jumbo Hammer
- Rear Exhaust with Muffler

High-performance



**KAAH1620**



1/2" DR.

ITEM NO.	KAAH1620	10
<b>SPECIFICATIONS</b>		
Max. Torque	180 ft-lb / 244 Nm	
Free Speed	7000 RPM	
Air Pressure	90 PSI / 6.2 BAR	
Air Consumption	5.0 CFM	
Air Inlet	1/4" PT	
Min. Air Hose	3/8" I.D.	
Overall Length	13-2/5" / 341 mm	
Net Weight	3.97 lbs / 1.8 Kgs	

# Impact Sockets, Bit Sockets, Accessories & Air Wrench

20PCS

1/2" DR. Air Impact Wrench Set

- Heavy duty 1/2 S.Q. twin hammer mechanism air impact wrench, front exhaust (Adjustable power regulator, 5-position forward and reverse power setting)
- Include one mini oiler to keep impact wrench lubricated

1/2"



Storage room for bolts, nuts and small spare parts

ITEM NO.	GDAI2001E	3 (SET)
<b>CONTENTS</b>		
1	KAAA1650B	1/2" Dr. Standard Anvil Super Duty Impact Wrench (500 ft-lb / 678Nm)
12	KABA1610-1627	1/2" Dr. 6PT Flank Impact Sockets 10, 11, 12, 13, 14, 16, 17, 19, 21, 22, 24, 27 mm
3	KABE1617-1621	1/2" Dr. 6PT Flank Deep Impact Sockets 17, 19, 21 mm
1	KACE1605	1/2" Dr. Impact Extension Bar - 5" (L)
1	KALB1501	Oil Pot - 15 c.c
1	KALA0815	1/4" Mini Oiler
1	KALC081E (Item No. GDAI2001E)	1/4" Air Nipple (European Type)
1	KALC082J (Item No. GDAI2001J)	1/4" Air Nipple (Japanese Type)

BLOW CASE: W478 x D234 x H100 (mm)

27PCS

1/2" DR. Air Impact Wrench Set

- Standard Anvil

1/2"



ITEM NO.	GDAI2701	3 (SET)
<b>CONTENTS</b>		
1	KAAA1640	1/2" Dr. Standard Anvil Super Duty Impact Wrench (600ft-lb / 813Nm)
12	KABA1610-1624	1/2" Dr. 6PT Flank Impact Sockets 10, 11, 12, 13, 14, 17, 18, 19, 20, 21, 22, 24 mm
3	KABD1617-1621	1/2" Dr. 6PT Flank Thin Wall Deep Impact Sockets With Plastic Sleeves 17, 19, 21 mm
1	KACE1605	1/2" Dr. Impact Extension Bar - 5" (L)
1	KACU1606	1/2" Dr. Impact Universal Joint
4	KALO1614-1632	O-Ring 8-14 mm x 2pcs, 15-32 mm x 2pcs
4	KALP1614-1632	Pin 8-14 mm x 2pcs, 15-32 mm x 2pcs
1	KALB1501	Oil Pot 15 c.c

BLOW CASE: W478 x D234 x H100 (mm)

27PCS

1/2" DR. Air Impact Wrench Set

- Standard Anvil

1/2"



ITEM NO.	GDAI2703	3 (SET)
<b>CONTENTS</b>		
1	KAAA1660	1/2" Dr. Standard Anvil Super Duty Impact Wrench (700ft-lb / 949Nm)
12	KABA1610-1624	1/2" Dr. 6PT Flank Impact Sockets 10, 11, 12, 13, 14, 17, 18, 19, 20, 21, 22, 24 mm
3	KABD1617-1621	1/2" Dr. 6PT Flank Thin Wall Deep Impact Sockets With Plastic Sleeves 17, 19, 21 mm
1	KACE1605	1/2" Dr. Impact Extension Bar - 5" (L)
1	KACU1606	1/2" Dr. Impact Universal Joint
4	KALO1614-1632	O-Ring 8-14 mm x 2pcs, 15-32 mm x 2pcs
4	KALP1614-1632	Pin 8-14 mm x 2pcs, 15-32 mm x 2pcs
1	KALB1501	Oil Pot 15 c.c

BLOW CASE: W478 x D234 x H100 (mm)

27PCS

1/2" DR. Air Impact Wrench Set

- Long Anvil

1/2"



ITEM NO.	GDAI2702	3 (SET)
<b>CONTENTS</b>		
1	KAAB1640	1/2" Dr. Long Anvil Super Duty Impact Wrench (400ft-lb / 542Nm)
12	KABA1610-1624	1/2" Dr. 6PT Flank Impact Sockets 10, 11, 12, 13, 14, 17, 18, 19, 20, 21, 22, 24 mm
3	KABD1617-1621	1/2" Dr. 6PT Flank Thin Wall Deep Impact Sockets With Plastic Sleeves 17, 19, 21 mm
1	KACE1605	1/2" Dr. Impact Extension Bar - 5" (L)
1	KACU1606	1/2" Dr. Impact Universal Joint
4	KALO1614-1632	O-Ring 8-14 mm x 2pcs, 15-32 mm x 2pcs
4	KALP1614-1632	Pin 8-14 mm x 2pcs, 15-32 mm x 2pcs
1	KALB1501	Oil Pot 15 c.c

BLOW CASE: W478 x D234 x H100 (mm)

27PCS

1/2" DR. Air Impact Wrench Set

- Long Anvil

1/2"



ITEM NO.	GDAI2704	3 (SET)
<b>CONTENTS</b>		
1	KAAB1660	1/2" Dr. Long Anvil Super Duty Impact Wrench (600ft-lb / 813Nm)
12	KABA1610-1624	1/2" Dr. 6PT Flank Impact Sockets 10, 11, 12, 13, 14, 17, 18, 19, 20, 21, 22, 24 mm
3	KABD1617-1621	1/2" Dr. 6PT Flank Thin Wall Deep Impact Sockets With Plastic Sleeves 17, 19, 21 mm
1	KACE1605	1/2" Dr. Impact Extension Bar - 5" (L)
1	KACU1606	1/2" Dr. Impact Universal Joint
4	KALO1614-1632	O-Ring 8-14 mm x 2pcs, 15-32 mm x 2pcs
4	KALP1614-1632	Pin 8-14 mm x 2pcs, 15-32 mm x 2pcs
1	KALB1501	Oil Pot 15 c.c

BLOW CASE: W478 x D234 x H100 (mm)



**TOPTUL**  
AIR RATCHET WRENCH SERIES

**Impact Sockets, Bit Sockets, Accessories & Air Wrench**

**TOPTUL SUPER DUTY AIR IMPACT WRENCH SERIES  
(One-Hand Reversing Switch)**

**HIGH-PERFORMANCE & LIGHTWEIGHT COMPOSITE HANDLE**



**TOPTUL**  
AIR IMPACT WRENCH SERIES



**Super Duty Air Impact Wrench**

High-performance

- Impact Mechanism : New Twin Hammer
- Handle Exhaust with Muffler
- One-Hand Reversing Switch



**KAAJ1680**



**800 FT-LBS**

**1/2" DR.**

**Powerful, Lightweight & Simple Operation**

ITEM NO.	KAAJ1680	8
<b>SPECIFICATIONS</b>		
Max. Torque	800 ft-lb / 1085 Nm	
Free Speed	8000 RPM	
Air Pressure	90 PSI / 6.2 BAR	
Air Consumption	6.7 CFM	
Air Inlet	1/4" PT	
Min. Air Hose	3/8" I.D.	
Overall Length	7-3/4" / 197 mm	
Net Weight	5.07 lbs / 2.3 kgs	

## Impact Sockets, Bit Sockets, Accessories & Air Wrench

### 3/8" DR. -NEW

- Super Duty Air Impact Wrench
- Impact Mechanism : Twin Hammer
  - Handle Exhaust with Muffler
  - One-Hand Reversing Switch



- Powerful, Lightweight & Simple Operation

ITEM NO.	KAAJ1240	⊞ 12
<b>SPECIFICATIONS</b>		
Max. Torque	400 ft-lb / 542 Nm	
Free Speed	13500 RPM	
Air Pressure	90 PSI / 6.2 BAR	
Air Consumption	5.9 CFM	
Air Inlet	1/4" PT	
Min. Air Hose	3/8" I.D.	
Overall Length	6" / 152 mm	
Net Weight	2.69 lbs / 1.22 kgs	

### 1/2" DR. -NEW

- Super Duty Air Impact Wrench
- Impact Mechanism : Twin Hammer
  - Handle Exhaust with Muffler
  - One-Hand Reversing Switch



- Powerful, Lightweight & Simple Operation

ITEM NO.	KAAJ1643	⊞ 12
<b>SPECIFICATIONS</b>		
Max. Torque	430 ft-lb / 583 Nm	
Free Speed	13500 RPM	
Air Pressure	90 PSI / 6.2 BAR	
Air Consumption	5.9 CFM	
Air Inlet	1/4" PT	
Min. Air Hose	3/8" I.D.	
Overall Length	6" / 152 mm	
Net Weight	2.73 lbs / 1.24 kgs	

### 3/4" DR. -NEW

- Super Duty Air Impact Wrench
- Impact Mechanism : New Twin Hammer
  - Handle Exhaust with Muffler
  - One-Hand Reversing Switch



- Powerful, Lightweight & Simple Operation

ITEM NO.	KAAJ2480	⊞ 8
<b>SPECIFICATIONS</b>		
Max. Torque	800 ft-lb / 1085 Nm	
Free Speed	8000 RPM	
Air Pressure	90 PSI / 6.2 BAR	
Air Consumption	6.7 CFM	
Air Inlet	1/4" PT	
Min. Air Hose	3/8" I.D.	
Overall Length	8-5/16" / 211 mm	
Net Weight	5.20 lbs / 2.36 kgs	

### 3/4" DR. -NEW

- Super Duty Air Impact Wrench
- Impact Mechanism : New Twin Hammer
  - Handle Exhaust with Muffler
  - One-Hand Reversing Switch



- Powerful, Lightweight & Simple Operation

ITEM NO.	KAAJ2413	⊞ 4
<b>SPECIFICATIONS</b>		
Max. Torque	1300 ft-lb / 1763 Nm	
Free Speed	6000 RPM	
Air Pressure	90 PSI / 6.2 BAR	
Air Consumption	7.3 CFM	
Air Inlet	3/8" PT	
Min. Air Hose	1/2" I.D.	
Overall Length	8-23/32" / 222 mm	
Net Weight	8.2 lbs / 3.72 kgs	

### 1" DR. -NEW

- Super Duty Air Impact Wrench
- Impact Mechanism : New Twin Hammer
  - Handle Exhaust with Muffler
  - One-Hand Reversing Switch



- Powerful, Lightweight & Simple Operation

ITEM NO.	KAAJ3214	⊞ 4
<b>SPECIFICATIONS</b>		
Max. Torque	1400 ft-lb / 1898 Nm	
Free Speed	6000 RPM	
Air Pressure	90 PSI / 6.2 BAR	
Air Consumption	7.3 CFM	
Air Inlet	3/8" PT	
Min. Air Hose	1/2" I.D.	
Overall Length	8-15/16" / 227 mm	
Net Weight	8.42 lbs / 3.82 kgs	



## Super Duty Air Impact Wrench (Limit Forward Working Torque)

- Impact Mechanism : Twin Hammer
- Handle Exhaust with Muffler
- Ideal for automotive tire service
- Limited Torque : 90Nm / Max. Reverse Torque : 814Nm



**TIGHTENING TORQUE LIMITED 90 NM**

**Ideal for Automotive tire service**

**KAAM1606**



**1/2" DR.**

**66 FT-LBS**

- Limit Forward Working Torque -NEW

ITEM NO.	KAAM1606	⊞ 8
<b>SPECIFICATIONS</b>		
Max. For. Torque	66 ft-lb / 90 Nm	
Free For. Speed	2000 RPM	
Max. Rev. Torque	600 ft-lb / 814 Nm	
Free Rev. Speed	8000 RPM	
Air Pressure	90 PSI / 6.2 BAR	
Air Consumption	4.4 CFM	
Air Inlet	1/4" PT	
Min. Air Hose	3/8" I.D.	
Overall Length	7-19/32" / 193 mm	
Net Weight	4.73 lbs / 2.15 kgs	



TOPTUL SUPER DUTY AIR IMPACT WRENCH SERIES

HIGH-PERFORMANCE & LIGHTWEIGHT COMPOSITE HANDLE



**TOPTUL**  
AIR IMPACT WRENCH SERIES



Super Duty Air Impact Wrench

- Impact Mechanism : Jumbo Hammer
- Handle Exhaust with Muffler

High-performance



**KAAC1645**



1/2" DR.

• Powerful, Lightweight & Short Barrel Model

ITEM NO.	KAAC1645	12
<b>SPECIFICATIONS</b>		
Max. Torque	450 ft-lb / 610 Nm	
Free Speed	9600 RPM	
Air Pressure	90 PSI / 6.2 BAR	
Air Consumption	4.9 CFM	
Air Inlet	1/4" PT	
Min. Air Hose	3/8" I.D.	
Overall Length	5-45/64" / 145 mm	
Net Weight	3.48 lbs / 1.58 kgs	

## Impact Sockets, Bit Sockets, Accessories & Air Wrench

**3/8" DR.**

Super Duty Air Impact Wrench  
 • Impact Mechanism : Twin Hammer  
 • Handle Exhaust with Muffler



ITEM NO.	KAAC1228	12
SPECIFICATIONS		
Max. Torque	280 ft-lb / 379 Nm	
Free Speed	10000 RPM	
Air Pressure	90 PSI / 6.2 BAR	
Air Consumption	4 CFM	
Air Inlet	1/4" PT	
Min. Air Hose	3/8" I.D.	
Overall Length	5-63/64" / 152 mm	
Net Weight	2.87 lbs / 1.30 kgs	

**1/2" DR.**

Super Duty Air Impact Wrench  
 • Impact Mechanism : Twin Hammer  
 • Handle Exhaust with Muffler



ITEM NO.	KAAC1628	12
SPECIFICATIONS		
Max. Torque	280 ft-lb / 379 Nm	
Free Speed	10000 RPM	
Air Pressure	90 PSI / 6.2 BAR	
Air Consumption	4 CFM	
Air Inlet	1/4" PT	
Min. Air Hose	3/8" I.D.	
Overall Length	5-63/64" / 152 mm	
Net Weight	2.89 lbs / 1.31 kgs	

**1/2" DR.**

Super Duty Air Impact Wrench  
 • Impact Mechanism : Twin Hammer  
 • Handle Exhaust with Muffler



ITEM NO.	KAAC1660	8
SPECIFICATIONS		
Max. Torque	600 ft-lb / 813 Nm	
Free Speed	8000 RPM	
Air Pressure	90 PSI / 6.2 BAR	
Air Consumption	4.4 CFM	
Air Inlet	1/4" PT	
Min. Air Hose	3/8" I.D.	
Overall Length	7-5/8" / 193 mm	
Net Weight	4.69 lbs / 2.13 kgs	

**1" DR.**

Super Duty Air Impact Wrench  
 • Impact Mechanism : New Twin Hammer  
 • Handle Exhaust with Muffler



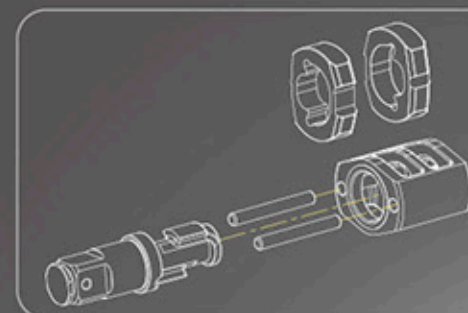
ITEM NO.	KAAC3214	4
SPECIFICATIONS		
Max. Torque	1400 ft-lb / 1898 Nm	
Free Speed	6500 RPM	
Air Pressure	90 PSI / 6.2 BAR	
Air Consumption	6.7 CFM	
Air Inlet	3/8" PT	
Min. Air Hose	1/2" I.D.	
Overall Length	9-3/64" / 230 mm	
Net Weight	8.94 lbs / 4.06 kgs	



## Super Duty Air Impact Wrench

- Impact Mechanism : New Twin Hammer
- Handle Exhaust with Muffler

High-performance

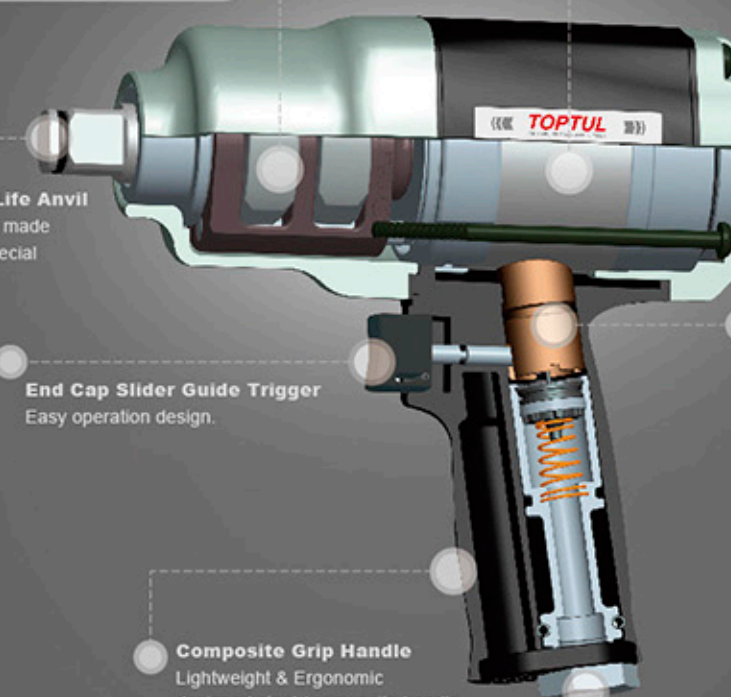


**New Twin Hammer Impact Mechanism**

High performance and powerful designed impact mechanism extends and ensures maximum tool life.

**Innovative Three-Way Air Inlet Function**

Specially designed air circulation system increases the efficiency and power delivery of tools by over 10%.



**Durable & Long Life Anvil**

High quality material made durable anvil with special heat treatment.

**Air Regulator**

4 position power setting.  
 Forward: 3 speed  
 Reverse: 1 speed

**Improved Throttle Valve Seat**

Easier maintenance design with less wear and prolong the life of the tool.

**End Cap Slider Guide Trigger**

Easy operation design.

**Composite Grip Handle**

Lightweight & Ergonomic designed steel / composite handle.

**Improved Air Inlet**

Effectively reduces the damage of thread.

**KAAC2412**

**3/4" DR.**



ITEM NO.	KAAC2412	4
SPECIFICATIONS		
Max. Torque	1200 ft-lb / 1626 Nm	
Free Speed	6500 RPM	
Air Pressure	90 PSI / 6.2 BAR	
Air Consumption	6.7 CFM	
Air Inlet	3/8" PT	
Min. Air Hose	1/2" I.D.	
Overall Length	8-55/64" / 225 mm	
Net Weight	8.59 lbs / 3.90 kgs	

# Impact Sockets, Bit Sockets, Accessories & Air Wrench



**3/4" DR.**

- Super Duty Air Impact Wrench**
- Impact Mechanism : Twin Hammer
  - Side Exhaust with Muffler
  - Inside Trigger



Features an adjustable 3-position forward and reverse power setting. Auxiliary side handle for ease of control. Rubber comfort grips on side & back handle.

**• Powerful & Lightweight Model**

ITEM NO.	KAAC2416	2
SPECIFICATIONS		
Max. Torque	1600 ft-lb / 2170 Nm	
Free Speed	5500 RPM	
Air Pressure	90 PSI / 6.2 BAR	
Air Consumption	8.5 CFM	
Air Inlet	1/2" PT	
Min. Air Hose	3/4" I.D.	
Overall Length	12-19/32" / 320 mm	
Net Weight	12.54 lbs / 5.69 kgs	

**1" DR.**

- Super Duty Air Impact Wrench**
- Impact Mechanism : Twin Hammer
  - Handle Exhaust with Muffler



Features an adjustable 3-position forward and one full power reverse setting. Auxiliary rubber comfort grip side handle for ease of control.

ITEM NO.	KAAC3218	2
SPECIFICATIONS		
Max. Torque	1800 ft-lb / 2441 Nm	
Free Speed	5000 RPM	
Air Pressure	90 PSI / 6.2 BAR	
Air Consumption	9.0 CFM	
Air Inlet	1/2" PT	
Min. Air Hose	3/4" I.D.	
Overall Length	10-13/16" / 275 mm	
Net Weight	15.92 lbs / 7.22 kgs	

**TOPTUL**  
Super Duty Air Impact Wrench

**1" DR.**

- Long Anvil Super Duty Air Impact Wrench**
- Impact Mechanism : Twin Hammer
  - Side Exhaust with Muffler
  - Inside Trigger



Features an adjustable 3-position forward and reverse power setting. Auxiliary side handle for ease of control. Rubber comfort grips on side & back handle.

**• Powerful & Lightweight Model**

ITEM NO.	KAAD3216	2
SPECIFICATIONS		
Max. Torque	1600 ft-lb / 2170 Nm	
Free Speed	5500 RPM	
Air Pressure	90 PSI / 6.2 BAR	
Air Consumption	8.5 CFM	
Air Inlet	1/2" PT	
Min. Air Hose	3/4" I.D.	
Overall Length	17-17/32" / 445 mm	
Net Weight	14.59 lbs / 6.62 kgs	

**1" DR.**

- Long Anvil Super Duty Air Impact Wrench**
- Impact Mechanism : Twin Hammer
  - Side Exhaust with Muffler
  - Inside Trigger



One of the lightest, most powerful super duty 1" square drive extended anvil impact wrenches. Ultimate torque of 2,000 ft. lbs. at 90 psi. Weighs only 18.34 lbs. Designed for extended use in heavy duty truck tire service works. Twin hammer mechanism promotes an even maximum force on lug nut or bolt. Features an adjustable 3-position forward and reverse power setting. Auxiliary side handle for ease of control. Rubber comfort grips on side & back handle.

**• Powerful & Lightweight Model**

ITEM NO.	KAAD3220	2
SPECIFICATIONS		
Max. Torque	2000 ft-lb / 2712 Nm	
Free Speed	5000 RPM	
Air Pressure	90 PSI / 6.2 BAR	
Air Consumption	9 CFM	
Air Inlet	1/2" PT	
Min. Air Hose	3/4" I.D.	
Overall Length	19-31/64" / 495 mm	
Net Weight	18.34 lbs / 8.32 kgs	

**Air Straight Die Grinder**

- Professional Grade Air Tools**
- Powerful 0.6 HP straight-line die grinder for heavy duty applications
  - Includes two collet chucks: 6mm (Insert) & 1/4"
  - Adjustable power regulator for precise control
  - Safety lock lever to prevent accidental start-up
  - Rear exhaust with muffler directs air away from the workpiece
  - Suited for grinding, polishing, burnishing and deburring applications



ITEM NO.	KAKA0822	25
SPECIFICATIONS		
Collet Chuck	6mm / 1/4"	
Power	0.6 HP / 0.45 KW	
Free Speed	22000 RPM	
Air Pressure	90 PSI / 6.2 BAR	
Air Consumption	6 CFM	
Air Inlet	1/4" PT	
Air Hose	3/8" I.D.	
Overall Length	6-9/16" / 167 mm	
Weight	1.3 lbs / 0.6 kgs	



**TOPTUL**  
YOUR BEST WORKING PARTNERS



# Impact Sockets, Bit Sockets, Accessories & Air Wrench

## Heavy Duty Air Impact Hammer



Heavy Duty Air Impact Hammer



- Pressure die cast aluminum alloy body with hardened tool steel impact mechanism
- Close tolerance of internal parts provides high torque performance and low air consumption
- Medium-barrel hammer design with pistol grip handle
- Front exhaust

ITEM NO.	KAHA3217	
<b>SPECIFICATIONS</b>		
Blow Per Minute	3200 BPM	10
Piston Stroke	67mm (2-5/8")	
Chisel Shank Opening (Hex)	10 mm	
Overall Length	171 mm (6-3/4")	
Net Weight	1.6 kg (3.5 lbs)	
Air Inlet	1/4" PT	
Air Hose	3/8" ID	
Air Pressure	90 PSI / 6.2 BAR	
Average Air Consumption	10 CFM (283 l/min)	
Sound Pressure Level	99.8 DBA	
Sound Power Level	110.6 DBA	
Vibration Level	5.1 M/Sec <sup>2</sup>	

### Flat Chisel



ITEM NO.	Hex(mm)	L(mm)		
KAJA18A1	10	178	10	120

### Spot Weld Breaker



ITEM NO.	Hex(mm)	L(mm)		
KAJA18C1	10	178	10	120

### Sheet Metal Trimmer



ITEM NO.	Hex(mm)	L(mm)		
KAJA18B1	10	178	10	120

### Panel Cutter



ITEM NO.	Hex(mm)	L(mm)		
KAJA18D1	10	178	10	120

### Taper Punch



ITEM NO.	Hex(mm)	L(mm)		
KAJA18E1	10	178	10	120

## Hexagon & Star Keys Series Practical

allen and star key wrenches for screw fastening and unfastening works.

www.toptul.com

## HEXAGON & STAR KEYS SERIES

